

Don't break the Bank

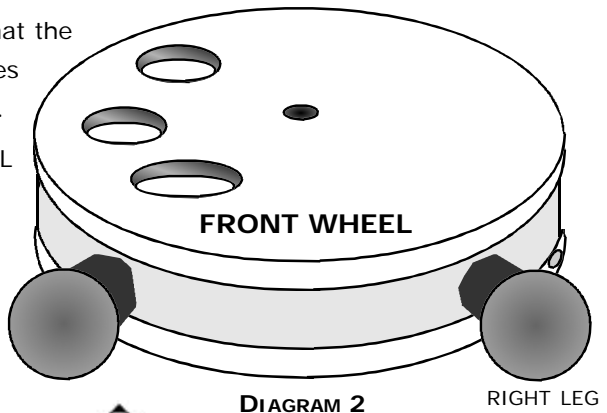
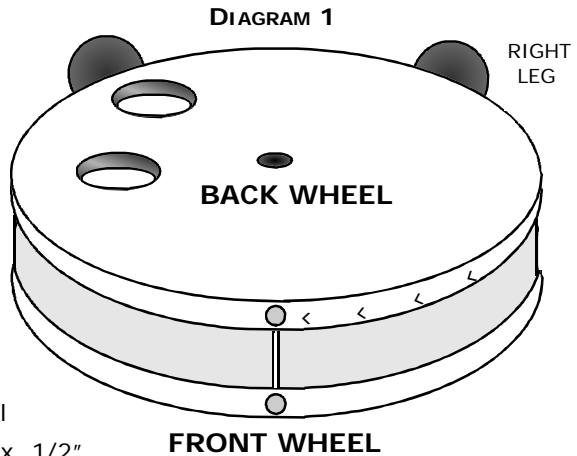
PLEASE NOTE:

HUMIDITY LEVELS IN THE ATMOSPHERE MAY CAUSE WOOD TO SWELL OR SHRINK, THEREBY CAUSING PIECES TO LOOSEN, TIGHTEN, OR PUZZLE MECHANISMS TO BLOCK TEMPORARILY. PLEASE USE A DROP OF CARPENTER'S GLUE TO REATTACH ANY LOOSE PIECES, AND USE PATIENCE FOR TIGHT OR BLOCKED PIECES.

TO FREE YOUR MONEY...

- 1 • Remove the 2 large bolts from the puzzle.
- 2 • Position the Bank so that the FRONT WHEEL faces the floor and the BACK WHEEL faces the ceiling (Diagram 1).
- 3 • Turn the BACK WHEEL to the Right until the small button is positioned approx. 1/2" from the right leg.
- 4 • Flip the Bank over so that the FRONT WHEEL now faces the ceiling (Diagram 2).
- 5 • Jiggle the FRONT WHEEL lightly to disengage the magnets and release the FRONT WHEEL.

NOTE: THE PUZZLE MAY NOT DISENGAGE ON THE FIRST ATTEMPT. LISTEN FOR THE MAGNETS TO FALL AND KEEP TRYING.



Made in China. Manufactured and distributed under license by Family Games Inc.
Montreal, Quebec, Canada www.familygamesamerica.com

Copyright 1999 - 2005