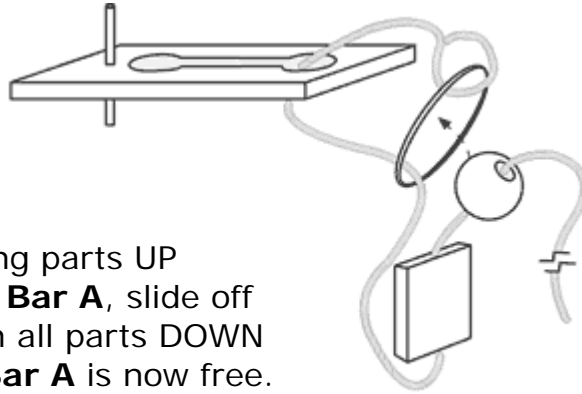




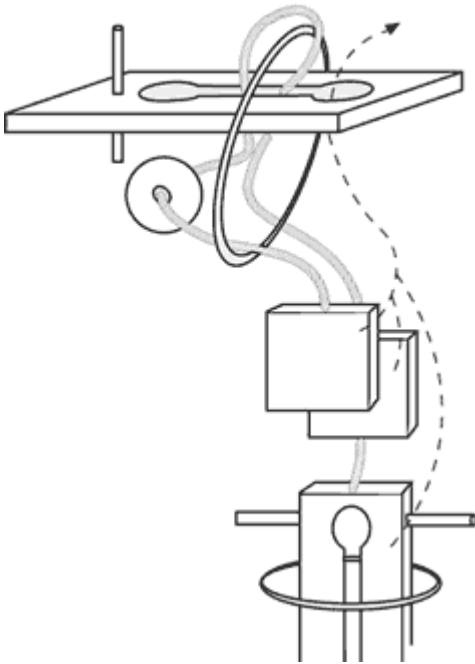
# Flabber Floovers™ Duress™



1 • Pass the ball through the ring, then slide the ring onto **Bar A**.



2 • Push all dangling parts UP through the slot in **Bar A**, slide off the ring, then push all parts DOWN through the slot. **Bar A** is now free.



3 • Repeat Steps 1 & 2 to free **Bar B**.

NOTE: DO NOT REVERSE THE STEPS TO REASSEMBLE. FOLLOW THE EXACT SEQUENCE OF STEPS 1 & 2, STARTING WITH BAR B.

## Available Puzzles

Clench  
Abacus  
Duress  
Gripper  
Shackle  
Yank  
Dipper  
Weaver  
Owl  
Pulley  
Granville  
Labyrinth

Difficulty level **3 - Hard**

Manufactured and distributed by:

Family Games America FGA Inc. Montreal, Quebec, Canada [www.familygamesamerica.com](http://www.familygamesamerica.com)

Under license from Family Games America FGA Inc. © 1999 - 2005