

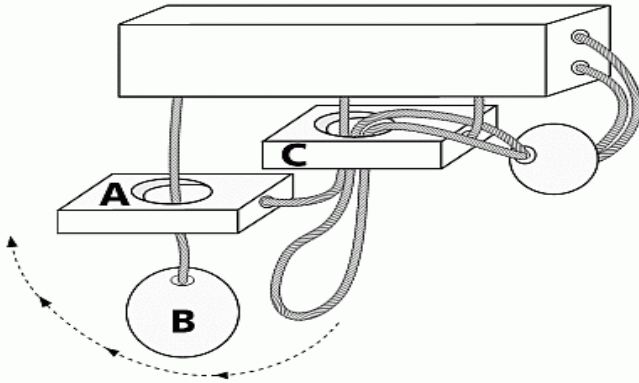


# Flabber Floovers™

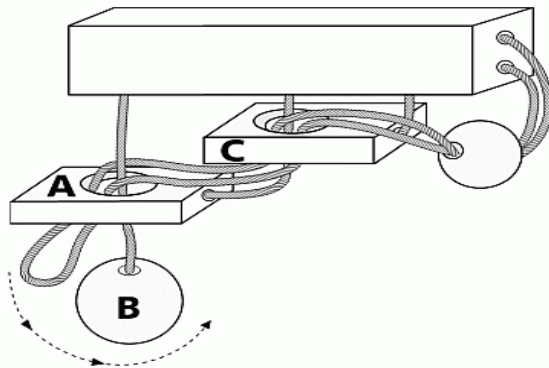
## Yank™



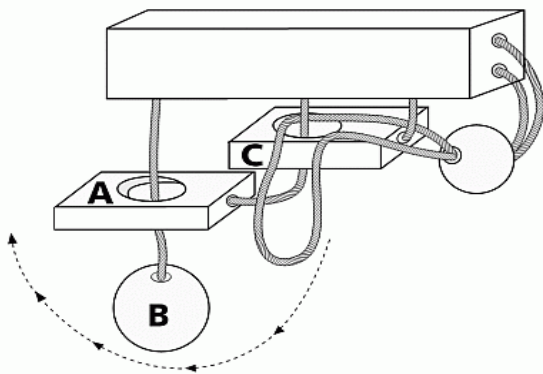
1 • Pass looped end of rope down through **Block C** and over both **Block A** and **BALL B** from below.



2 • Pass looped end down through **Block A** and OVER **Ball B**.



3 • Ignoring Block C, pass looped end of rope over both **Block A** and **BALL B** from below. Pass looped end DOWN through **Block A** and OVER **Ball B**. The small ball is now free.



Difficulty level **2 - Medium**

### Available Puzzles

Clench  
Abacus  
Duress  
Gripper  
Shackle  
Yank  
Dipper  
Weaver  
Owl  
Pulley  
Granville  
Labyrinth

Manufactured and distributed by:

**Family Games America FGA Inc.** Montreal, Quebec, Canada [www.familygamesamerica.com](http://www.familygamesamerica.com)

Under license from Family Games America FGA Inc. © 1999 - 2005