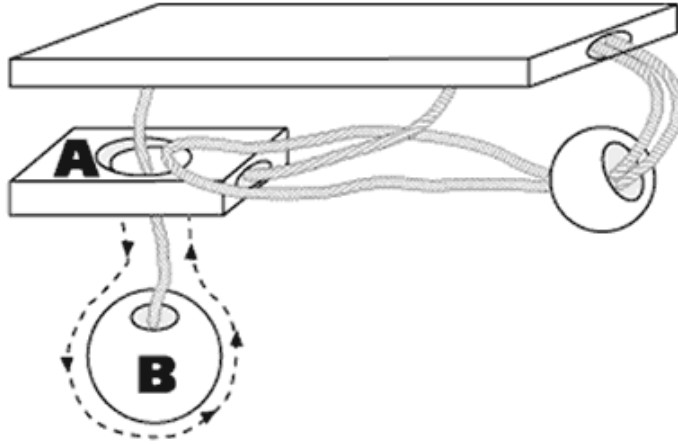




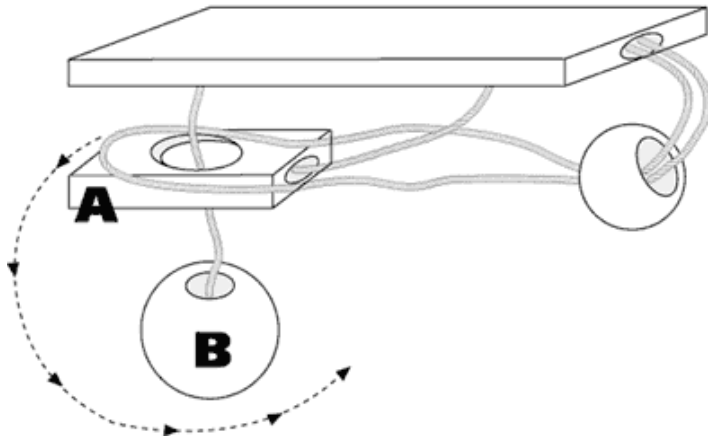
Flabber Floovers™ Dipper™



1 • Push looped end of rope DOWN through the opening in **Block A** and OVER **Ball B**.



2 • Pass looped end OVER **Block A**. The small ball is now free.



Difficulty level 1 - Easy

Available Puzzles
Clench
Abacus
Duress
Gripper
Shackle
Yank
Dipper
Weaver
Owl
Pulley
Granville
Labyrinth

Manufactured and distributed by:

Family Games America FGA Inc. Montreal, Quebec, Canada www.familygamesamerica.com

Under license from Family Games America FGA Inc. © 1999 - 2005