



Keep youngsters active indoors and out! Burn up excess energy, improve balance & motor skills, strengthen muscles and enhance healthy growth.

Ces appareils de conditionnement physique aident les enfants à brûler leur trop plein d'énergie, améliorent l'équilibre et la motricité, renforcent les muscles et contribuent à une saine croissance.



Age / Âge : **3+**

Little Moppet™ gardening accessories will start imaginations growing! Made to accommodate small hands, plant the seed of fun.



Les accessoires de jardinage Little Moppet™ pour une imagination fertile ! Fabriqués pour s'adapter aux petites mains et aux pouces verts.



Age / Âge : **4+**



www.familygamesamerica.com
514.485.1834 | 514.485.2944
email: info@familygamesamerica.com



- Not to be used by children under age 3 - Maximum weight 99 lbs.
- Consult with your child's doctor prior to using.
- Never leave child unattended while on a machine.
- Never allow more than 1 user at a time.
- Child must wear shoes while on a machine.
- N'est pas adapté aux enfants de moins de 3 ans - 99 livres maximum.
- Consultez le médecin de votre enfant avant d'utiliser.
- Ne jamais laisser un enfant sans surveillance sur une machine.
- Ne jamais laisser plus d'un enfant sur la machine.
- L'enfant doit porter des chaussures sur la machine.



CHOKING HAZARD: This product contains small parts. • Dispose of plastic bags safely. • Assemble by a responsible adult. • Only use the tools specified. • Install and use on a flat, solid surface. • Inspect the product regularly for loose parts. • Retain ASSEMBLY INSTRUCTIONS for future use.

RISQUES D'ÉTOUFFEMENT : Ce produit contient de petites pièces. • Jeter les sacs en plastique en toute sécurité. • Le montage doit être fait par des adultes uniquement. • Utiliser les outils spécifiés. • Installer et utiliser sur une surface plane et solide. • Inspecter régulièrement pour pièces détachées. • Conservez les INSTRUCTIONS D'ASSEMBLAGE pour référence ultérieure.



LMFT-01 Treadmill

Age / Âge : 3+



MAINTENANCE

1. Ensure that all parts and fittings are included.
2. Remove the plastic from the parts and dispose of them safely.
3. Ensure that shoes are free of stones or sand prior to using.
4. Use a sponge with soapy water to clean. No abrasive or acetone products.
5. If the Tread Running Board becomes dry, spray dry-spray silicone oil under the tread.

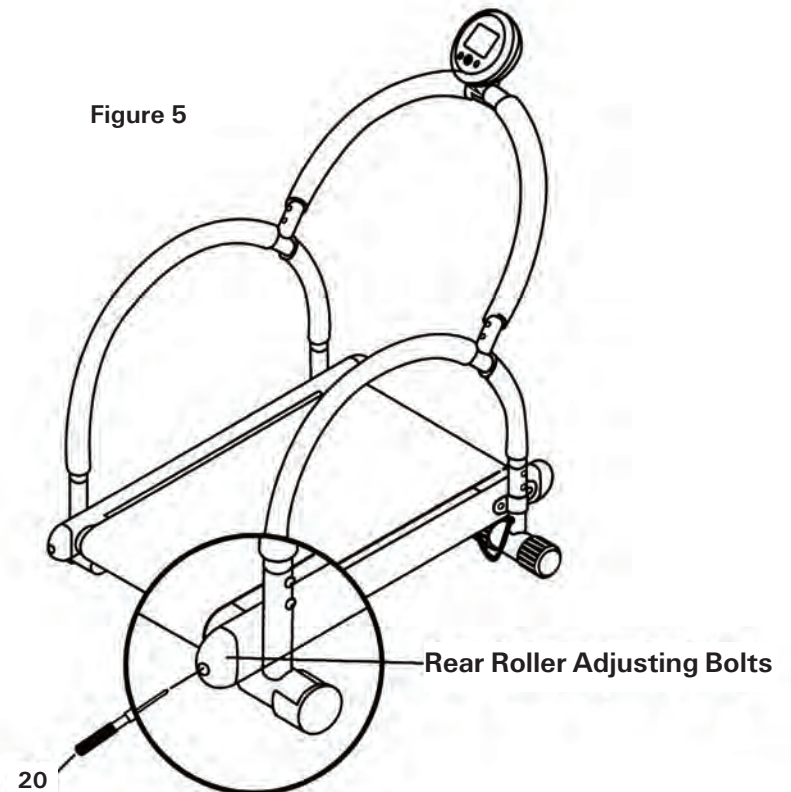
Shifting Running Belt

If the Running Belt has shifted to the Right, use the Screwdriver (20) to turn the Left rear roller adjustment bolt 1/4" clockwise and the Right rear roller adjustment bolt 1/4" counter-clockwise. Run the machine for a minute. Repeat as necessary until the belt is centered. DO NOT OVER-TIGHTEN as it could permanently damage the belt.

If shifted to the Left, turn the Right adjustment bolt 1/4" clockwise and the Left adjustment bolt 1/4" counter-clockwise. Repeat as necessary until the belt is centered.

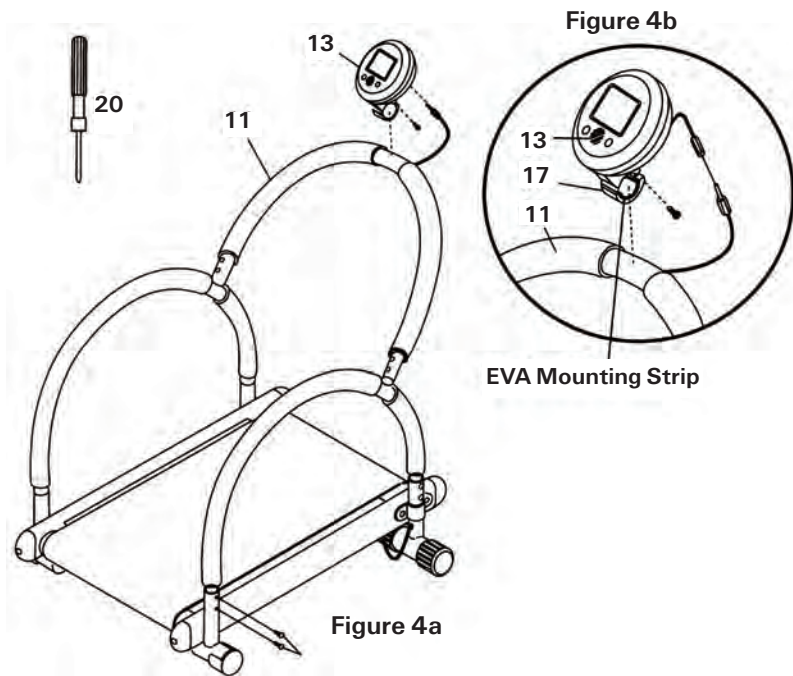
If the Running Belt shifts when walked on, turn BOTH rear roller adjustments 1/4" clockwise until it stops shifting.

Figure 5



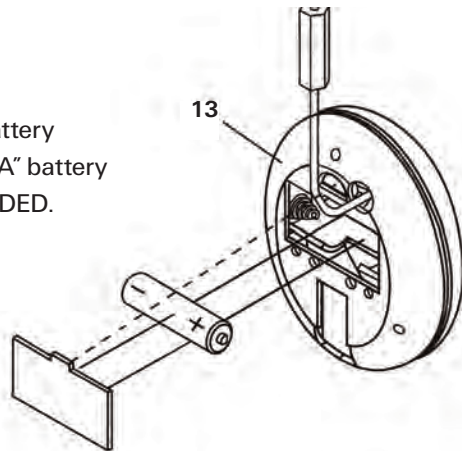
Step 4

Step 4 Attach the EVA Mounting Strip with the Mounting Bracket (17) on top of the Front Handrail (11). Secure through the hole in Bracket (17). Attach the Monitor (13) onto Bracket (17) as shown.



Battery Installment

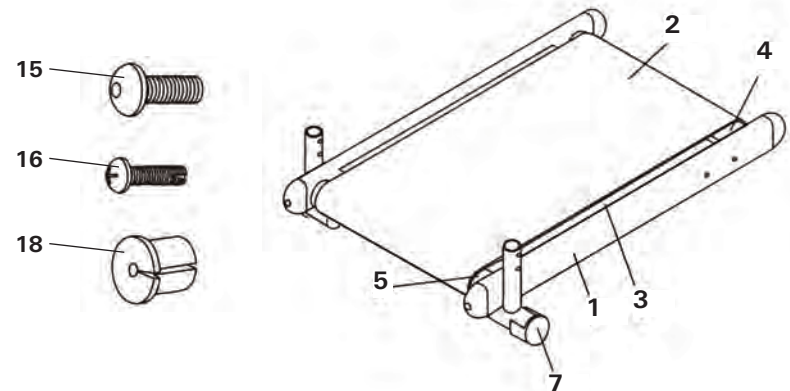
To set up the monitor, remove Battery cover of Monitor (13). Insert 1 "AA" battery as shown. BATTERY NOT INCLUDED.



PARTS

Parts noted as P (preassembled), have already been installed by the factory.

No.	Description	QTY
1	Main Frame	1
2	Running Belt (P)	1
3	Tread Running Board (P)	1
4	Front Roller (P)	1
5	Rear Roller (P)	1
6	Frame Cap with Bolts (P)	1
7	Plastic Foot (P)	2
8	Left Leg Tube	1
9	Right Leg Tube	1
10a	Right-side Handrail with Foam	1
10b	Left-side Handrail with Foam	1
11	Front handrail with Foam	1
12	Leg Tube Caps (P)	2
13	Monitor	1
14	Sensor Wiring (P)	1
15	8 x10 mm Bolts	4
16	4 x10 mm Screws	12
17	Monitor Mounting Bracket	1
18	Plastic Sensor Cable Cap	1
19	Allen Key	1
20	Screwdriver	1



Step 1

Attach Left (8) and Right Leg Tube (9) to Frame (1) with Bolts (15). Guide the Sensor Cable (C) through the hole in Right Leg Tube (9) as shown.

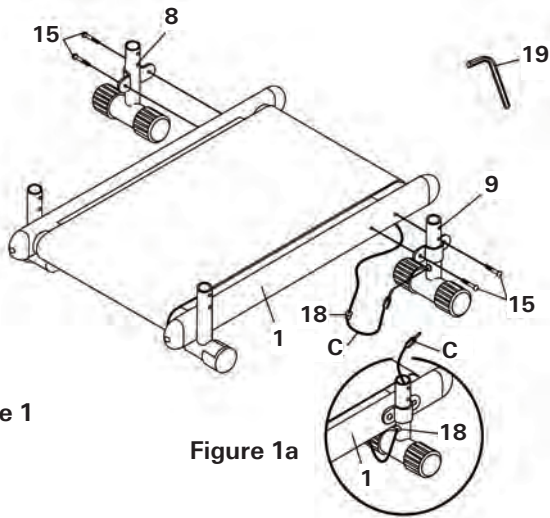


Figure 1

Figure 1a

Step 2

Slide the Sensor Cable (C-Fig. 2a) to the slot on the Plastic Cap (18). Press into the hole on the Right Leg Tube (9), as shown. Pull the exposed part of the Sensor Cable from the top, until it is tight. Connect the Cable (C) and (B) together with Cap (18) before inserting the Right Handrail (10a) to the Frame and Leg Tube (9). Connect the Left Handrail (10b) as shown. Tighten with Screws (16).

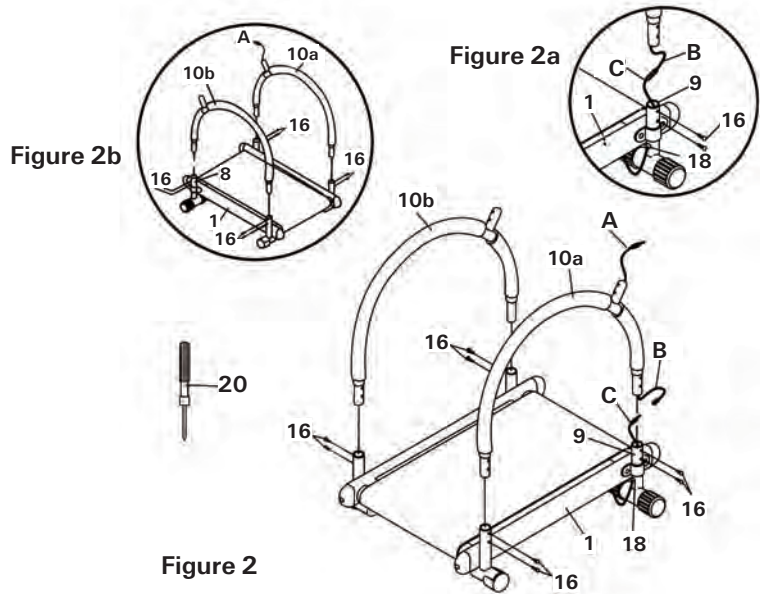


Figure 2b

Figure 2a

Figure 2

Step 3

Connect Sensor Cable (A) with (D) before attaching the Front Handrail (11) to Handrail (10a + b). Check the alignment of the screw holes, then fasten using Long Screws (16).

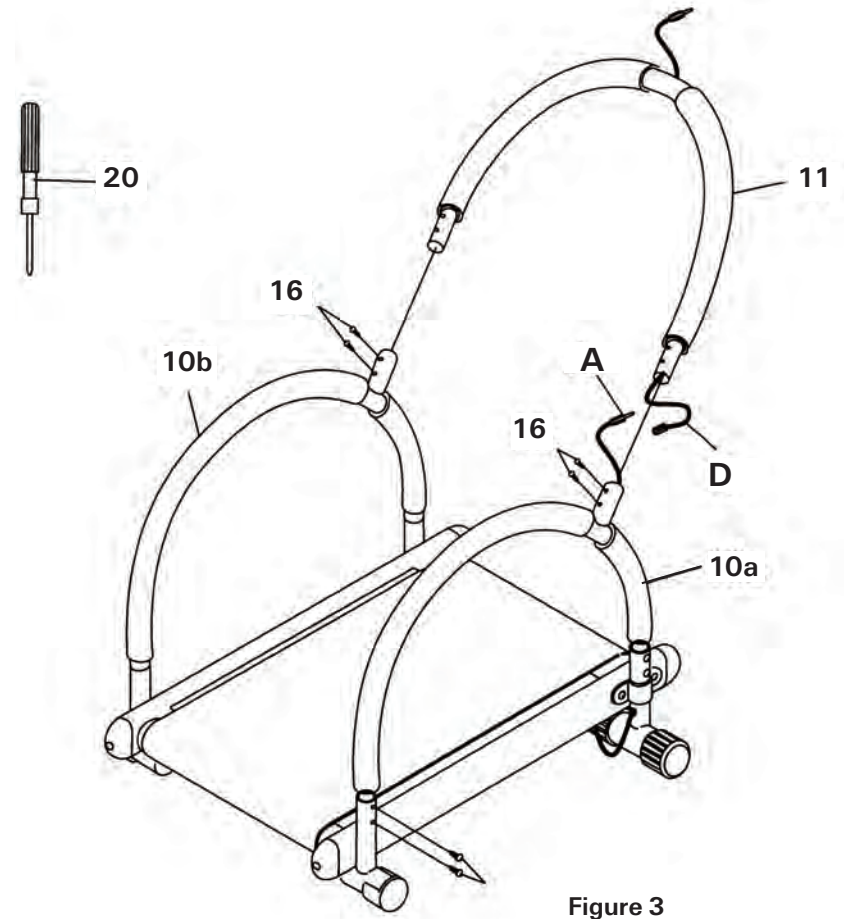


Figure 3